



QuietTorque™ 60.0 LC

Clean, Green, and Quiet!

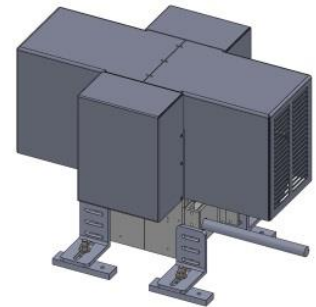
Electric propulsion systems engineered and built by sailors for sailors since 2007!

The **QuietTorque™ 60.0 LC** is recommended for boats up to 60' (LOA) and 45,000lbs displacement. Liquid cooling provides for high sustained output, ideal for hybrid applications. Typical battery size is 300 - 500Ah.

Specifications

Motor type	2 PMAC Brushless
Voltage	96Vdc (nom)
Max. Input Power	60 kW
Cont. Input Power	50 kW
Weight	180 pounds
Frame	Anodized Aluminum

*Permanent magnet Alternating Current



Standard Features

Motor Mounts	Adjustable Mounts to current engine stringers
Throttle	Anodized Al waterproof throttle with key & neutral lock
System Monitor	Programmable digital display <ul style="list-style-type: none"> • State of Charge (SOC) • Voltage, Current, Power and RPM • Time to Discharge (TTD) • Programmable regeneration and max power • Programmable RH or LH propeller rotation • Programmable for flooded, AGM and LiFePO4 battery type and size
Shaft coupler	4" flange (Hurth/Borg Warner)
Power Switch	Two position 500A GigaVac switch
Relay	500amp TE Connectivity vacuum relay
Fuse	Class-T fuse & holder



Why Electric Yacht

- UNPARALLELED CUSTOMER SERVICE AND ENGINEERING
- Computer generated performance projections
- Three year warranty
- Designed for customer installation

The **QuietTorque™ 60.0 LC** is very complete and includes everything needed except for batteries, battery cables and charger. Contact us directly or through one of our dealers and we will help you design a complete system to meet your particular needs.